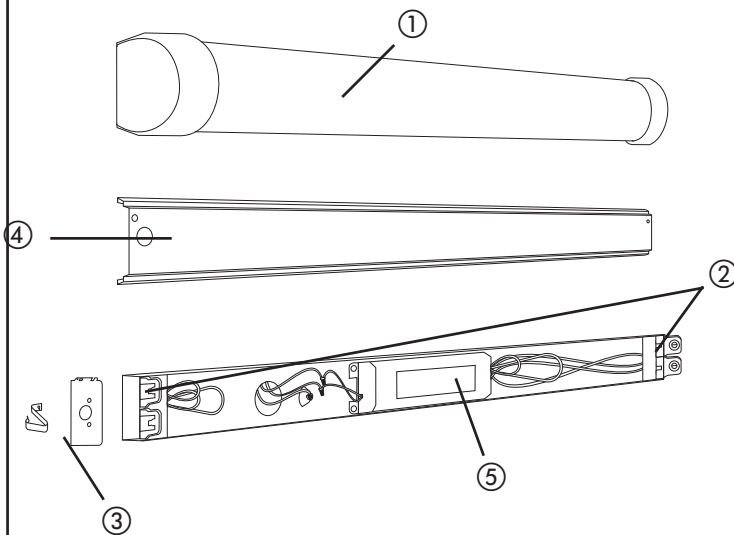


INSTALLATION INSTRUCTIONS

Vanity Series






IMPORTANT SAFETY INFORMATION

For Your Protection, Read Carefully



- WARNING: RISK OF SHOCK.** House electric current can cause painful shock or serious injury unless handled properly. For your safety, always remember to:
 - Turn off the power supply at the fuse or circuit breaker box before you install the fixture.
 - Turn off the power supply again when you change lamps or perform other maintenance.
 - Ground the fixture to avoid potential electric shocks and to ensure reliable starting.
 - Double-check all connections to be sure they are tight and correct.
 - Wear rubber-soled shoes and work on a sturdy wooden ladder.
- This fixture is designed for use in a circuit protected by a fuse or circuit breaker. It is also designed to be installed in accordance with local electrical codes. If you are unsure about your wiring, consult a qualified electrician or local electrical inspector and check your local electrical code.
- WARNING: RISK OF CUTS.** Some metal parts in the fixture may have sharp edges. To prevent cuts and scrapes, wear gloves when handling the parts.
- Account for small parts and destroy packing material, as these may be hazardous to children.
- WARNING: RISK OF FIRE.** Most dwellings built before 1985 have supply wire rated 60°C. If supply wires are located within three inches of ballast, wire must be suitable for at least 90°C (194°F). Consult a qualified electrician before installing.
- Not for use on dimming circuits.

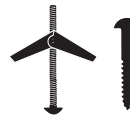
Packing List

Description	Quantity
① Diffuser	1
② Channel assembly	1
③ End plate	2
④ Channel cover	1
⑤ Ballast	1
Part packs:	
Spring clips	2 
Screws	2 
Wirenuts	2 

Tools Required for Installation



Phillips-head screwdriver



Mounting hardware
toggle bolts or
woodscrews
(refer to Step 6)



Safety
glasses



Drill



Straight-blade
screwdriver

This product comes with a:
TWO YEAR LIMITED WARRANTY
Register your warranty on
www.lightahome.com/warranty
Your prompt product registration confirms your right to the protection available under the terms and conditions of your Lithonia Lighting warranty.
Standard One Year Warranty applies to non-Energy Star rated or non-stock items only.

Lithonia Lighting
Acuity Brands Lighting, Inc.
Consumer Products Group
One Lithonia Way, Conyers GA 30012
Customer Service: 1-800-748-5070 Part No. U212140 Rev B.
www.lightahome.com

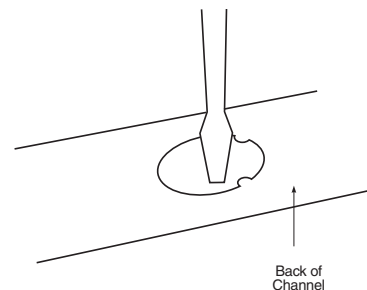
07/08

Installation Instructions

CAUTION: For your safety and proper operation of fixture, read instructions carefully before you start. Note and understand all safety information in bold print.

1. Remove Knockout

Turn channel over. Remove knockout by depressing knockout with screwdriver. When finished, turn channel back over to original position.



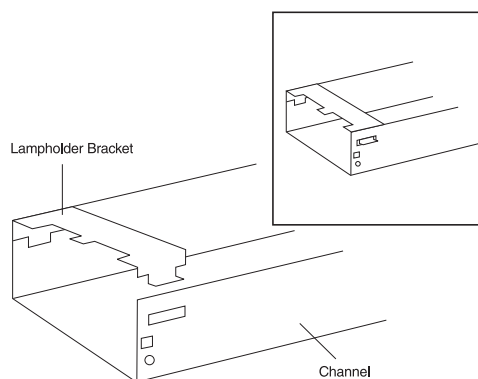
Helpful Hint

"The center KO is preferred. Based on house supply location, mounting may require use of other knockouts."



2. Install Lampholder Brackets

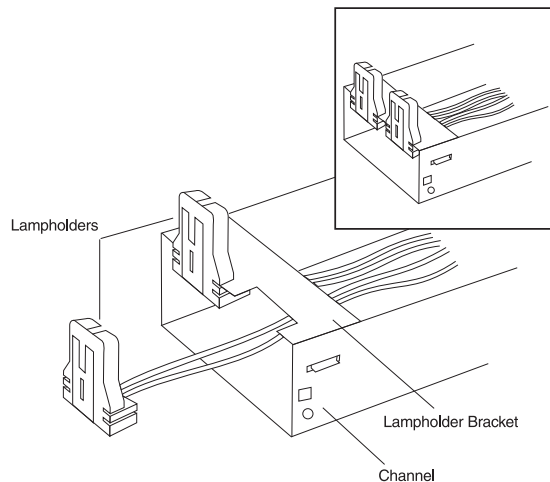
Insert tab from one side of lampholder bracket into slot on channel. Insert into opposite slot. Cover channel to insert into opposite slot.



3. Insert Lampholders

Pull lampholders to end of channel. Slide lampholders onto channel using top slots on side of lampholders.

NOTE: Use top slot to mount lampholder flush with end of channel.



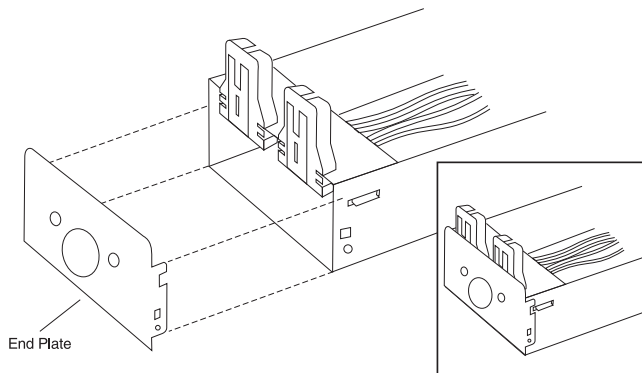
Helpful Hint

"Make sure wires are beneath lampholder bracket."



4. Attach end plate on channel

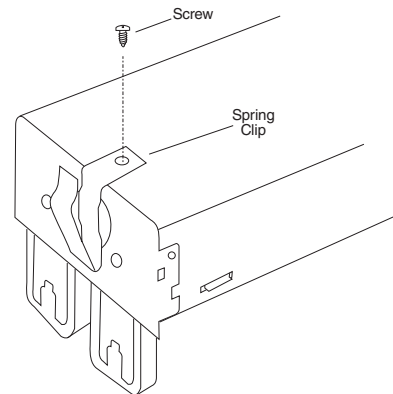
Align tabs on side of end plate with square holes in channel. Push end plate over holes until secure. End plate goes on outside of channel.



Installation Instructions

5. Secure Spring Clips

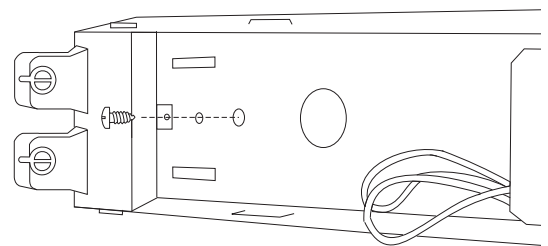
Turn channel cover over. Attach spring clips to channel using screws provided in parts pack.



6. Mount Channel to Wall

Using holes on end of channel, mount channel to wall. As you align channel to wall, pull house supply wires through the (removed knockout) hole. Mark location to be mounted, drill 1/8" hole first to see if you hit a stud (see note below). Secure channel to wall.

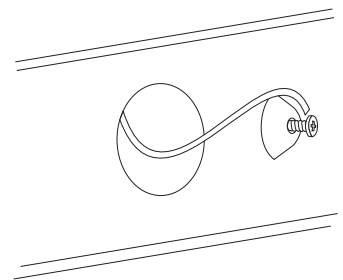
NOTE: If you hit a stud, use a wood screw.
If a stud is not located, toggle bolts must be used.



7. Insert Ground Wire

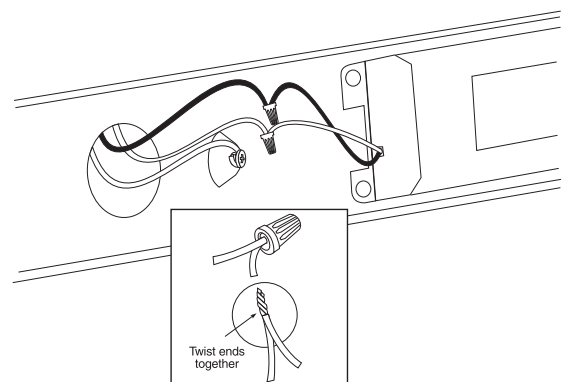
Locate ground wire. Loosen screw in fixture. Bend wire around ground screw and tighten.

NOTE: The ground wire is bare or green-coated and is located with the house wires.



8. Wire connection

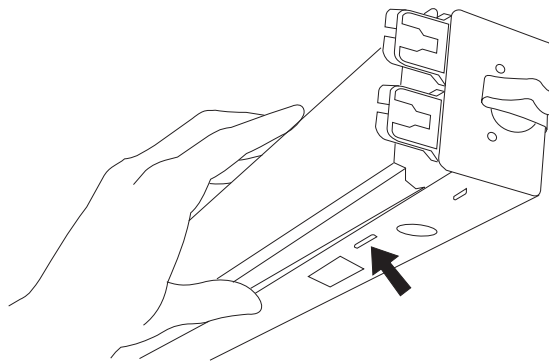
Connect black fixture wire to black supply wire. Connect white fixture wire to white supply wire. Twist together in a clockwise motion. Secure with wirenut. Wirenut should cover all exposed wires. Tuck wires into junction box.



Installation Instructions

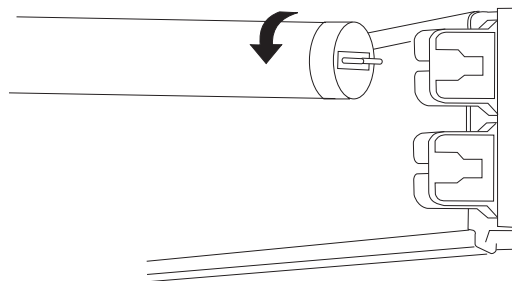
9. Secure Channel Cover

Snap channel cover over tabs on sides of channel.



10. Install Lamps

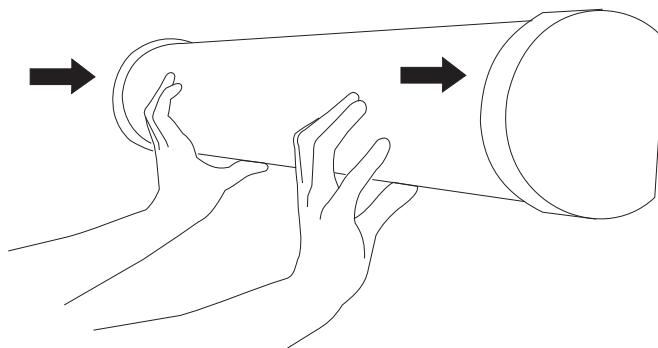
Insert lamp pins through slot in lampholder. Rotate 1/4 turn.



NOTE: See carton label or ballast label for proper lamp usage.

11. Install Diffuser

Align diffuser in front of channel.
Push forward until diffuser is retained by spring clips.



12. Restore Power

Maintenance: Diffuser should be cleaned with mild soap and water *only*.

If lamp is marked  it contains Mercury.
Follow disposal laws. See WWW.LAMPRECYCLE.ORG

Si la lampe indique  une teneur en mercure.
Suivre les lois sur l'élimination des déchets.

Si la lámpara está marcada  en que contiene Mercurio.
Siga leyes de disposición.