

PRODUCT INFORMATION

FFB



Intended Use
Ideal for use in cold-storage areas. Provides significant energy savings, improved color recognition and longer maintenance cycles over standard metal halide systems. May be mounted at heights of 15' to 40' and is available with a variety of photometric options. **Certain airborne contaminants can diminish integrity of acrylic. Refer to Acrylic Environmental Compatibility tables on pages 794-795 for suitable uses.**

Construction
Channel, ends and socket brackets are manufactured from 22-gauge cold-rolled steel. Riveted and screwed

assembly. Tool-less ballast and wiring access. Optional heavy-gauge steel or all-aluminum construction are also available.

Lamp shielding options are provided with a 22-gauge premium polyester powder coat finish door frame with two painted hinges and two painted opposing rotary cam latches. Lenses are held in place with lens clips. Fixture is provided with double gasketing around door frame and lens.

Finished in premium polyester powder coat finish, utilizing a seven-stage pretreatment process of iron phosphate, a non-chromium sealer and a de-ionized

water rinse to provide superior adhesion and corrosion resistance.

Optics
Reflectors are precision-formed, high-performance, 95% total reflectance, segmented optics utilizing premium specular aluminum warranted for 25 years.

Electrical
Ballasts are electronic, energy-saving, thermally protected, Class P, HPF, non-PCB, Sound Rating A, UL/CSA certified where applicable and comply with Federal Ballast Law (Public Law 100-357, 1988). UL listed wire, rated for required temperatures, used throughout.

Lamps are secured with rotary locking lampholders for ease of re-lamping and to minimize disconnection due to vibration or incidental contact. Factory-installed lamps are available in various CRI ratings, temperature colors and rated life.

Installation
May be offset mounted to a hard ceiling or may be suspended with aircraft cable, chain hangers or by monopoint hanger.

Listings
Luminaire is bi-national listed (UL 1598 and CSA C22.2 No. 250.0-00) and is suitable for damp locations down to -29°C (-20°F). Certified to meet Splash Zone 1.



ORDERING INFORMATION

For shortest lead times, configure products using **bolded options**.

Example: FFB164 6 54T5HO T1X20 ACL MVOLT 1/41/2 GEB10P590 LP841

| Series | Number of lamps ¹ | Lamp type | Distribution/Reflector | Shielding | Voltage |
|------------------------|------------------------------|------------------------------|------------------------------------|------------------------------------|-----------------------------------|
| 4 ft fixtures | 2 | 32 32W T8 (48") | Distribution | Reflector | A12125 Pattern 12 acrylic, 0.125" |
| FFB14 1' x 4' | 3 | 54T5HO 54W T5HO (46") | F1 Focus (0.9>SC) ^{2,3,4} | X20 Specular aluminum | MVOLT |
| FFB164 16" x 4' | 4 | | T1 Task (0.9<1.2 SC) | D20 White powder coat ⁵ | HVOLT |
| FFB24 2' x 4' | 6 | | N1 Normal (1.2<1.4 SC) | | |
| 8 ft fixtures | 8 | | S1 Spread (1.4<1.8 SC) | | |
| FFB18 1' x 8' | | | B1 Broad (1.8< SC) ^{3,4} | | |
| FFB168 16" x 8' | | | | | |
| FFB28 2' x 8' | | | | | |

| Ballast configuration | Ballast | Lamp color | Options |
|--|--|---------------------------------------|--|
| (blank) All 2-lamp ballasts ⁶ | GEB10IS T8 electronic ballast, ≤10% THD, instant start, normal BF | (blank) No lamps | OUTCTR Wiring leads pulled through back center of fixture ⁷ |
| 1/3 One 3-lamp ballast | GEB10ISH T8 electronic ballast, ≤10% THD, instant start, high BF | LP830 85 CRI, 3000K, std. life | 20GA 20-gauge steel construction |
| 1/4 One 4-lamp ballast | GEB10ISL T8 electronic ballast, ≤10% THD, instant start, low BF | LP835 85 CRI, 3500K, std. life | AL Aluminum construction |
| 1/41/2 One 4-lamp & one 2-lamp ballast | GEB10P590 T5HO 90° electronic ballast, ≤10% THD, programmed rapid start | LP841 85 CRI, 4100K, std. life | WG Wireguard, 11 ga., external mounting |
| 2/3 Two 3-lamp ballasts | | LP850 85 CRI, 5000K, std. life | |
| 2/4 Two 4-lamp ballasts | | | |
| 3/4 Three 4-lamp ballasts | | | |

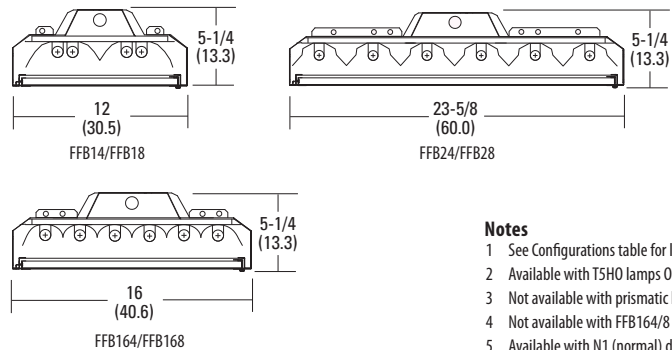
ADDITIONAL INFORMATION

For additional product information, visit www.lithonia.com.

| CONFIGURATIONS | | | | |
|-----------------|-----------------|---------------|--------------|-------------------------|
| SERIES | NUMBER OF LAMPS | WIDTH | HEIGHT | LENGTH |
| FFB14 / FFB18 | 2, 3, 4 | 12 (30.5) | 5-1/4 (13.3) | 48 (121.9) / 96 (243.8) |
| FFB164 / FFB168 | 4, 6 | 16 (40.6) | 5-1/4 (13.3) | 48 (121.9) / 96 (243.8) |
| FFB24 / FFB28 | 6, 8 | 23-5/8 (60.0) | 5-1/4 (13.3) | 48 (121.9) / 96 (243.8) |

| ACCESSORIES | |
|------------------|--|
| ORDER SEPARATELY | |
| IBAC120 M20 | 10' adjustable aircraft cable, 2-hook Y hanger (one pair) |
| IBAC240 M20 | 20' adjustable aircraft cable, 2-hook Y hanger (one pair) |
| MHYTGB10 | 10' adjustable aircraft cable, 2-toggle Y hanger (one pair) |
| HBBS36 | 3' jack chain with hanger (one pair) |
| THSDZ3HB | Monopoint hanger, 3/4" hub (for 12" fixture - 4' only) |
| THSDZ4HB | Monopoint hanger, 3/4" hub (for 16" & 24" fixtures - 4' only) |
| THSDZ3SK | Side covers for monopoint hanger (for 12" fixture - 4' only) |
| THSDZ4SK | Side covers for monopoint hanger (for 16" & 24" fixture - 4' only) |
| ALP MHRMKN | Rigid-mount bracket (for 12" fixture) |
| ALP MHRMK | Rigid-mount bracket (for 16" and 24" fixtures) |

Drawings are for dimensional detail only and may not represent actual mechanical configuration. Dimensions are shown in inches (centimeters) unless otherwise noted.



Notes

- 1 See Configurations table for lamp compatibility.
- 2 Available with T5HO lamps ONLY.
- 3 Not available with prismatic lens option.
- 4 Not available with FFB164/8 (6L) or FFB24/8 (8L).
- 5 Available with N1 (normal) distribution only.
- 6 Not available in 4' fixtures with six or more lamps.
- 7 Specify OUTCTR when monopoint hanger will be used.