

# FOB



**Intended Use**

Ideal for use in applications that require additional rigidity and a full body design. Provides significant energy savings, improved color recognition and longer maintenance cycles over standard metal halide systems. May be mounted at heights of 15' to 40' and is available with a variety of photometric options. **Certain airborne contaminants can diminish integrity of acrylic. Refer to Acrylic Environmental Compatibility tables on pages 794-795 for suitable uses.**

**Construction**

Channel, ends and socket brackets are manufactured from 22-gauge cold-rolled

steel. Riveted and screwed assembly. Tool-less ballast and wiring access. Optional heavy-gauge steel or all-aluminum construction are also available.

Lamp shielding options are provided with a 22-gauge premium polyester powder coat finish door frame with two painted hinges and two painted opposing rotary cam latches. Lenses are held in place with lens clips. Optional double gasketing around door frame and lens is available.

Finished in premium polyester powder coat finish, utilizing a seven-stage pretreatment process of iron phosphate, a non-chromium sealer and

a de-ionized water rinse to provide superior adhesion and corrosion resistance.

**Optics**

Reflectors are precision-formed, high-performance, 95% total reflectance, segmented optics utilizing premium specular aluminum warranted for 25 years.

**Electrical**

Ballasts are electronic, energy-saving, thermally protected, Class P, HPE, non-PCB, Sound Rating A, UL/CSA certified where applicable and comply with Federal Ballast Law (Public Law 100-357, 1988). UL listed wire, rated for required temperatures, used throughout.

Lamps are secured with rotary locking lampholders for ease of re-lamping and to minimize disconnection due to vibration or incidental contact. Factory-installed lamps are available in various CRI ratings, temperature colors and rated life.

**Installation**

May be offset mounted to a hard ceiling or may be suspended with aircraft cable, chain hangers or by monopoint hanger.

**Listings**

Luminaire is bi-national listed (UL 1598 and CSA C22.2 No. 250.0-00) and is suitable for damp locations from 0° C (32° F) to 30° C (85° F). Certified to meet Splash Zone 1.



**ORDERING INFORMATION**

For shortest lead times, configure products using **bolded options**.

**Example:** FOB164 4 54T5HO T1X20 ACL MVOLT 1/4 GEB10PS LP841

Series	Number of lamps <sup>1</sup>	Lamp type	Distribution/Reflector	Shielding	Voltage
<b>4 ft fixtures</b>	2 2-lamp profile	<b>32</b> 32W T8 (48")	<b>Distribution</b>	<b>Reflector</b>	<b>(blank)</b> No shielding
<b>FOB14</b> 1'x4'	3 3-lamp profile	<b>54T5HO</b> 54W T5HO (46")	<b>F1</b> Focus (0.9<SC) <sup>2,3,4</sup>	<b>X20</b> Specular aluminum	<b>MVOLT</b> 120V - 277V, 60 Hz
<b>FOB164</b> 16"x4'	4 4-lamp profile		<b>T1</b> Task (0.9<1.2 SC)	<b>D20</b> White powder coat <sup>5</sup>	<b>HVOLT</b> 347V - 480V, 60 Hz
<b>FOB24</b> 2'x4'	6 6-lamp profile		<b>N1</b> Normal (1.2<1.4 SC)		
<b>8 ft fixtures</b>			<b>S1</b> Spread (1.4<1.8 SC)		
<b>FOB18</b> 1'x8'			<b>B1</b> Broad (1.8<SC) <sup>3,4</sup>		
<b>FOB168</b> 16"x8'					
<b>FOB28</b> 2'x8'					

Ballast configuration	Ballast	Lamp color	Options
<b>(blank)</b> All 2-lamp ballasts <sup>6</sup>	<b>GEB10IS</b> T8 electronic ballast, ≤10% THD, instant start, normal BF	<b>(blank)</b> No lamps	<b>OUTCTR</b> Wiring leads pulled through back center of fixture <sup>7</sup>
1/3 One 3-lamp ballast		<b>LP830</b> 85 CRI, 3000K, std. life	<b>AB</b> Double-gasketing
<b>1/4</b> One 4-lamp ballast	<b>GEB10ISH</b> T8 electronic ballast, ≤10% THD, instant start, high BF	<b>LP835</b> 85 CRI, 3500K, std. life	<b>20GA</b> 20-gauge steel construction
<b>1/41/2</b> One 4-lamp & one 2-lamp ballast	<b>GEB10ISL</b> T8 electronic ballast, ≤10% THD, instant start, low BF	<b>LP841</b> 85 CRI, 4100K, std. life	<b>AL</b> Aluminum construction
2/3 Two 3-lamp ballasts		<b>LP850</b> 85 CRI, 5000K, std. life	<b>WG</b> Wireguard, 11 ga., external mounting
2/4 Two 4-lamp ballasts	<b>GEB10PS90</b> T5HO 90° electronic ballast, ≤10% THD, programmed rapid start		
3/4 Three 4-lamp ballasts			

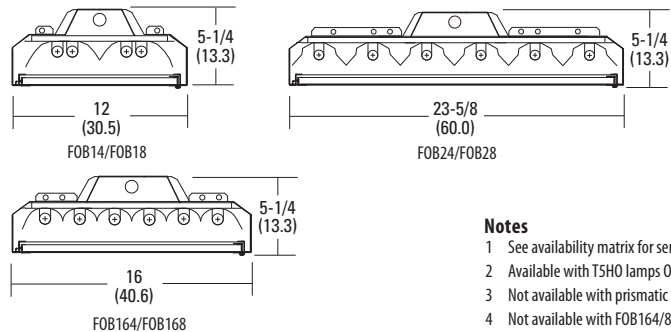
**ADDITIONAL INFORMATION**

For additional product information, visit [www.lithonia.com](http://www.lithonia.com).

CONFIGURATIONS				
SERIES	NUMBER OF LAMPS	WIDTH	HEIGHT	LENGTH
FOB14 / FOB18	2, 3	12 (30.5)	5-1/4 (13.3)	48 (121.9) / 96 (243.8)
FOB164 / FOB168	4	16 (40.6)	5-1/4 (13.3)	48 (121.9) / 96 (243.8)
FOB24 / FOB28	6	23-5/8 (60.0)	5-1/4 (13.3)	48 (121.9) / 96 (243.8)

ACCESSORIES	
ORDER SEPARATELY	
IBAC120 M20	10' adjustable aircraft cable, 2-hook Y hanger (one pair)
IBAC240 M20	20' adjustable aircraft cable, 2-hook Y hanger (one pair)
MHYTGB10	10' adjustable aircraft cable, 2-toggle Y hanger (one pair)
HBBS36	3' jack chain with hanger (one pair)
THSDZ3HB	Monopoint hanger, 3/4" hub (for 12" fixture - 4' only)
THSDZ4HB	Monopoint hanger, 3/4" hub (for 16" & 24" fixtures - 4' only)
THSDZ3SK	Side covers for monopoint hanger (for 12" fixture - 4' only)
THSDZ4SK	Side covers for monopoint hanger (for 16" & 24" fixture - 4' only)
ALP MHRMKN	Rigid-mount bracket (for 12" fixture)
ALP MHRMK	Rigid-mount bracket (for 16" and 24" fixtures)

Drawings are for dimensional detail only and may not represent actual mechanical configuration. Dimensions are shown in inches (centimeters) unless otherwise noted.



**Notes**

- 1 See availability matrix for series and lamp configurations.
- 2 Available with T5HO lamps ONLY.
- 3 Not available with prismatic lens option.
- 4 Not available with FOB164/8 (6L) or FOB24/8 (8L).
- 5 Available with N1 (normal) distribution only.
- 6 Not available in 4ft fixtures with six or more lamps.
- 7 Specify OUTCTR when monopoint hanger will be used.